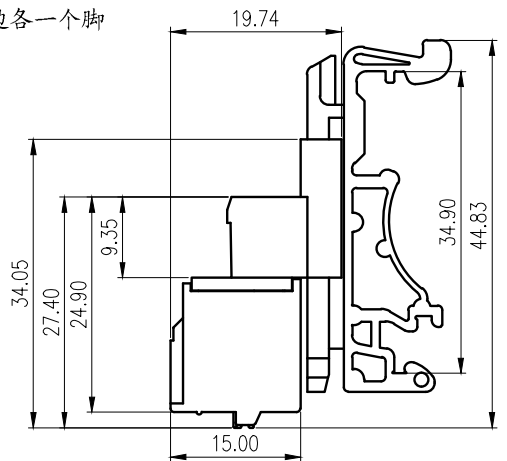
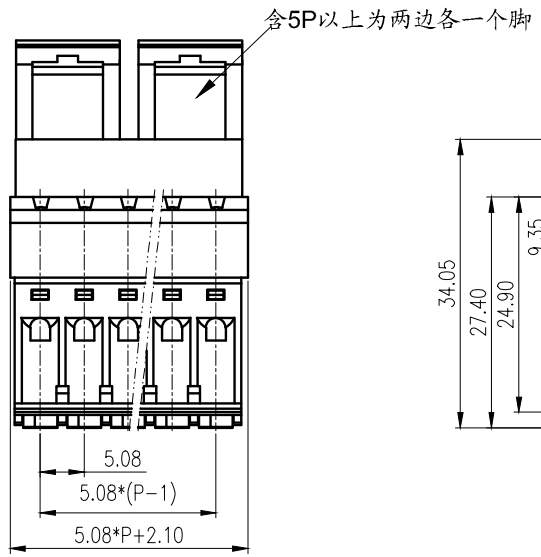
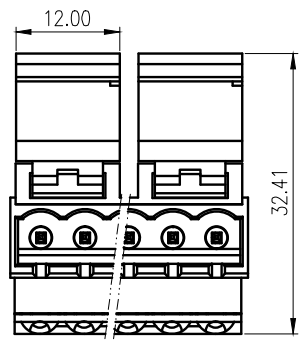
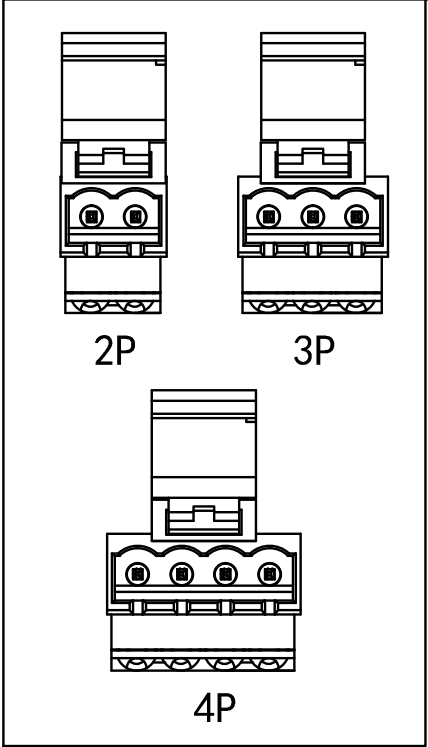


REVISION RECORD			
REV.	CONTENT	MOD.	DATE
①	初版发行		

NOTES1:
 UL Standard:
 1.Voltage Rating: 300V, Current Rating: 10A
 2.Suitable Electric Wire: 26-12AWG
 IEC Standard:
 1.Voltage Rating: 400V, Current Rating: 15A
 2.Suitable Electric Wire: 24-12AWG
 NOTES2:
 1.Pitch : 5.08mm
 2.Withstand Voltage : AC2500V for 1 minute
 3.Insulation Resistance : 500MΩ / DC500V
 4.Using Temperature Range : - 40°C ~ + 105°C

技术要求1:
 UL 标准:
 1. 额定电压: 300V, 额定电流: 10A
 2. 适用线规: 26~12AWG
 IEC 标准:
 1. 额定电压: 400V, 额定电流: 15A
 2. 适用线规: 24~12AWG
 技术要求2:
 1. 间距: 5.08mm
 2. 耐电压值: AC2500V/min
 3. 绝缘阻抗: 500MΩ/DC500V
 4. 使用条件: -40°C~+105°C



	pitch dimension			Naminal dimension					— ◇ ○
	over 0 to 6	over 6 to 10	over 10 to 24	over 0 to 30	over 30 to 60	over 60 to 100	over 100 to 150	0.05/10	
variable range	0 to 6	6 to 10	10 to 24	0 to 30	30 to 60	60 to 100	100 to 150		
Tolerance	±0.1	±0.15	±0.25	±0.2	±0.3	±0.5	±0.7	±1.0	

6	LC16-脚	104ST0Y01AV	1-2	PA66	
5	LC60-5.08五金件	2083B0001AV	P	磷青铜	镀锡
4	LC6-5.08-弹片	F2A0DLC658BV	p	不锈钢	
3	LC6-5.08-按钮	1020D0Y01AV	P	POM	
2	LC26U-5.08-盖板	2085A0YXXAV	1	PA66-V0	
1	LC6-5.08-本体	1020A0YXXAV	1	PA66-V0	
NO.	NAME OF PART	NO. OF PART	Q'TY	MATERIAL	NOTES
DES.	WY	DATE	2021/07/12	UNITS	MM
CHK.		DATE		SIZE	A4
APP.		DATE		SCALE	1:1
				DWG NO.	SP-2-208501
				REV:	V0
上海有乐电气有限公司 Shanghai YouLe Electric C O.,LTD				TITLE	LC26U-5.08-XXP-1Y-00A
					LC26U-5.08-成品